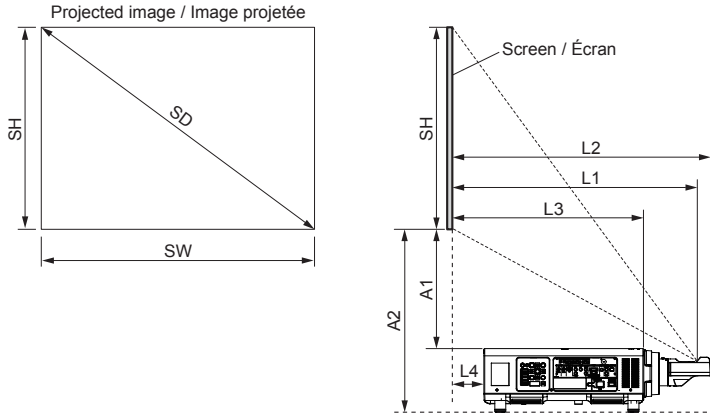


Appendix / Annexe

■ Dimensional relationship ■ Relations dimensionnelles

The dimensional relationship between the screen and the projector is shown below.
Les relations dimensionnelles entre l'écran et le projecteur sont indiquées ci-dessous.



SH	Projected image height / Hauteur de l'image projetée
SW	Projected image width / Largeur de l'image projetée
SD	Diagonal length of the projected image / Diagonale de la zone de projection
L1	Projection distance (from screen to mirror reflective surface*) Distance de projection (de l'écran à la surface réfléchissante du miroir*)
L2	Screen to lens front end / De l'écran à l'extrémité avant de l'objectif
L3	Screen to projector front end / De l'écran à l'extrémité avant du projecteur
L4	Screen to projector rear end / De l'écran à l'extrémité arrière du projecteur
A1	Bottom edge of the screen to the top of the projector / Du bord inférieur de l'écran au sommet du projecteur
A2	Bottom edge of the screen to the bottom of the projector / Du bord inférieur de l'écran à la base du projecteur

* The mirror reflective surface is inside the fixed-focus lens, and is not visible from the outside.

* La surface réfléchissante du miroir se trouve à l'intérieur de l'objectif à focale fixe, et n'est pas visible de l'extérieur.

● Projected image size and Projection distance ● Taille de l'image projetée et Distance de projection

Note

- When using projector models other than the following, refer to "Setting up" in the operating instructions of the projector.

Remarque

- Lorsque vous utilisez des modèles de projecteur différents des modèles suivants, consultez "Installation" dans le mode d'emploi du projecteur.

Projectors / Projecteurs

PT-DZ21K / PT-DS20K / PT-DW17K / PT-DZ16K /
PT-DZ13K / PT-DS12K / PT-DW11K / PT-DZ10K

The dimensions of the following table contain a slight error.

Periods are used to represent decimal points in the calculation formulas in the following table.

Les dimensions du tableau suivant peuvent présenter un léger écart.

Les points sont utilisés pour indiquer les décimales dans les formules de calcul dans le tableau suivant.

● **PT-DZ21K**

(Unit / Unités : m)

When the screen aspect ratio is 16:10 (Throw ratio : [0.36:1]) Lorsque le rapport d'aspect de l'écran est 16:10 (Rapport de projection : [0.36:1])					
SD	SH	SW	L1	L4	A1
3.05 (120")	1.615	2.585	0.94	-0.06	0.26–0.34
3.81 (150")	2.019	3.231	1.18	0.17	0.35–0.46
5.08 (200")	2.692	4.308	1.56	0.55	0.50–0.65
6.35 (250")	3.365	5.385	1.95	0.94	0.66–0.84
7.62 (300")	4.039	6.462	2.33	1.32	0.81–1.03
8.89 (350")	4.712	7.539	2.72	1.71	0.96–1.22
10.16 (400")	5.385	8.616	3.10	2.09	1.12–1.41
12.70 (500")	6.731	10.770	3.87	2.86	1.43–1.79
15.24 (600")	8.077	12.923	4.64	3.63	1.74–2.17

When the screen aspect ratio is 16:9 (Throw ratio : [0.36:1]) Lorsque le rapport d'aspect de l'écran est 16:9 (Rapport de projection : [0.36:1])					
SD	SH	SW	L1	L4	A1
3.05 (120")	1.494	2.657	0.97	-0.04	0.27–0.44
3.81 (150")	1.868	3.321	1.21	0.20	0.36–0.58
5.08 (200")	2.491	4.428	1.60	0.60	0.52–0.81
6.35 (250")	3.113	5.535	2.00	0.99	0.68–1.04
7.62 (300")	3.736	6.641	2.39	1.39	0.83–1.27
8.89 (350")	4.358	7.748	2.79	1.78	0.99–1.50
10.16 (400")	4.981	8.855	3.19	2.18	1.15–1.73
12.70 (500")	6.226	11.069	3.98	2.97	1.47–2.19
15.24 (600")	7.472	13.283	4.77	3.76	1.78–2.65

When the screen aspect ratio is 4:3 (Throw ratio : [0.44:1]) Lorsque le rapport d'aspect de l'écran est 4:3 (Rapport de projection : [0.44:1])					
SD	SH	SW	L1	L4	A1
3.05 (120")	1.829	2.438	1.07	0.06	0.30–0.40
3.81 (150")	2.286	3.048	1.33	0.32	0.41–0.53
5.08 (200")	3.048	4.064	1.76	0.76	0.58–0.75
6.35 (250")	3.810	5.080	2.20	1.19	0.76–0.96
7.62 (300")	4.572	6.096	2.64	1.63	0.93–1.18
8.89 (350")	5.334	7.112	3.07	2.06	1.11–1.40
10.16 (400")	6.096	8.128	3.51	2.50	1.28–1.61
12.70 (500")	7.620	10.160	4.38	3.37	1.63–2.04
15.24 (600")	9.144	12.192	5.25	4.24	1.98–2.47

● **PT-DS20K**

(Unit / Unités : m)

When the screen aspect ratio is 4:3 (Throw ratio : [0.39:1]) Lorsque le rapport d'aspect de l'écran est 4:3 (Rapport de projection : [0.39:1])					
SD	SH	SW	L1	L4	A1
3.05 (120")	1.829	2.438	0.96	-0.04	0.26
3.81 (150")	2.286	3.048	1.20	0.19	0.36
5.08 (200")	3.048	4.064	1.59	0.59	0.51
6.35 (250")	3.810	5.080	1.99	0.98	0.67
7.62 (300")	4.572	6.096	2.38	1.37	0.83
8.89 (350")	5.334	7.112	2.77	1.77	0.98
10.16 (400")	6.096	8.128	3.17	2.16	1.14
12.70 (500")	7.620	10.160	3.95	2.95	1.46
15.24 (600")	9.144	12.192	4.74	3.73	1.77

When the screen aspect ratio is 16:9 (Throw ratio : [0.39:1]) Lorsque le rapport d'aspect de l'écran est 16:9 (Rapport de projection : [0.39:1])					
SD	SH	SW	L1	L4	A1
3.05 (120")	1.494	2.657	1.05	0.04	0.30–0.54
3.81 (150")	1.868	3.321	1.31	0.30	0.40–0.71
5.08 (200")	2.491	4.428	1.73	0.73	0.57–0.98
6.35 (250")	3.113	5.535	2.16	1.15	0.74–1.26
7.62 (300")	3.736	6.641	2.59	1.58	0.91–1.53
8.89 (350")	4.358	7.748	3.02	2.01	1.08–1.81
10.16 (400")	4.981	8.855	3.45	2.44	1.26–2.08
12.70 (500")	6.226	11.069	4.30	3.30	1.60–2.63
15.24 (600")	7.472	13.283	5.16	4.15	1.94–3.18

● **PT-DW17K**

(Unit / Unités : m)

When the screen aspect ratio is 16:9 (Throw ratio : [0.40:1]) Lorsque le rapport d'aspect de l'écran est 16:9 (Rapport de projection : [0.40:1])					
SD	SH	SW	L1	L4	A1
3.05 (120")	1.494	2.657	1.07	0.07	0.31–0.58
3.81 (150")	1.868	3.321	1.34	0.33	0.41–0.76
5.08 (200")	2.491	4.428	1.78	0.77	0.59–1.05
6.35 (250")	3.113	5.535	2.22	1.21	0.76–1.34
7.62 (300")	3.736	6.641	2.65	1.65	0.94–1.63
8.89 (350")	4.358	7.748	3.09	2.09	1.12–1.92
10.16 (400")	4.981	8.855	3.53	2.53	1.29–2.21
12.70 (500")	6.226	11.069	4.41	3.40	1.64–2.79
15.24 (600")	7.472	13.283	5.29	4.28	1.99–3.37

(PT-DW17K)

When the screen aspect ratio is 4:3 (Throw ratio : [0.54:1]) Lorsque le rapport d'aspect de l'écran est 4:3 (Rapport de projection : [0.54:1])					
SD	SH	SW	L1	L4	A1
3.05 (120")	1.829	2.438	1.31	0.30	0.40–0.74
3.81 (150")	2.286	3.048	1.63	0.63	0.53–0.95
5.08 (200")	3.048	4.064	2.17	1.16	0.75–1.31
6.35 (250")	3.810	5.080	2.71	1.70	0.96–1.66
7.62 (300")	4.572	6.096	3.25	2.24	1.18–2.02
8.89 (350")	5.334	7.112	3.78	2.78	1.39–2.37
10.16 (400")	6.096	8.128	4.32	3.31	1.61–2.73
12.70 (500")	7.620	10.160	5.40	4.39	2.03–3.44
15.24 (600")	9.144	12.192	6.47	5.46	2.46–4.15

● PT-DZ16K

(Unit / Unités : m)

When the screen aspect ratio is 16:9 (Throw ratio : [0.36:1]) Lorsque le rapport d'aspect de l'écran est 16:9 (Rapport de projection : [0.36:1])					
SD	SH	SW	L1	L4	A1
3.05 (120")	1.494	2.657	0.97	-0.04	0.27–0.44
3.81 (150")	1.868	3.321	1.21	0.20	0.36–0.58
5.08 (200")	2.491	4.428	1.60	0.60	0.52–0.81
6.35 (250")	3.113	5.535	2.00	0.99	0.68–1.04
7.62 (300")	3.736	6.641	2.39	1.39	0.83–1.27
8.89 (350")	4.358	7.748	2.79	1.78	0.99–1.50
10.16 (400")	4.981	8.855	3.19	2.18	1.15–1.73
12.70 (500")	6.226	11.069	3.98	2.97	1.47–2.19
15.24 (600")	7.472	13.283	4.77	3.76	1.78–2.65

When the screen aspect ratio is 4:3 (Throw ratio : [0.48:1]) Lorsque le rapport d'aspect de l'écran est 4:3 (Rapport de projection : [0.48:1])					
SD	SH	SW	L1	L4	A1
3.05 (120")	1.829	2.438	1.18	0.17	0.35–0.56
3.81 (150")	2.286	3.048	1.47	0.47	0.47–0.73
5.08 (200")	3.048	4.064	1.96	0.95	0.66–1.01
6.35 (250")	3.810	5.080	2.44	1.43	0.85–1.30
7.62 (300")	4.572	6.096	2.93	1.92	1.05–1.58
8.89 (350")	5.334	7.112	3.41	2.40	1.24–1.86
10.16 (400")	6.096	8.128	3.89	2.89	1.43–2.14
12.70 (500")	7.620	10.160	4.86	3.86	1.82–2.71
15.24 (600")	9.144	12.192	5.83	4.82	2.21–3.27

● PT-DZ13K / PT-DZ10K

(Unit / Unités : m)

When the screen aspect ratio is 16:10 (Throw ratio : [0.36:1])					
Lorsque le rapport d'aspect de l'écran est 16:10 (Rapport de projection : [0.36:1])					
SD	SH	SW	L1	L4	A1
3.05 (120")	1.615	2.585	0.94	0.13	0.27–0.36
3.81 (150")	2.019	3.231	1.18	0.36	0.36–0.47
5.08 (200")	2.692	4.308	1.56	0.74	0.52–0.66
6.35 (250")	3.365	5.385	1.95	1.13	0.67–0.85
7.62 (300")	4.039	6.462	2.33	1.51	0.82–1.04
8.89 (350")	4.712	7.539	2.72	1.90	0.98–1.23
10.16 (400")	5.385	8.616	3.10	2.28	1.13–1.42
12.70 (500")	6.731	10.770	3.87	3.05	1.44–1.80
15.24 (600")	8.077	12.923	4.64	3.82	1.75–2.19

When the screen aspect ratio is 16:9 (Throw ratio : [0.36:1])					
Lorsque le rapport d'aspect de l'écran est 16:9 (Rapport de projection : [0.36:1])					
SD	SH	SW	L1	L4	A1
3.05 (120")	1.494	2.657	0.97	0.15	0.28–0.45
3.81 (150")	1.868	3.321	1.21	0.39	0.37–0.59
5.08 (200")	2.491	4.428	1.60	0.79	0.53–0.82
6.35 (250")	3.113	5.535	2.00	1.18	0.69–1.05
7.62 (300")	3.736	6.641	2.39	1.58	0.85–1.28
8.89 (350")	4.358	7.748	2.79	1.97	1.01–1.51
10.16 (400")	4.981	8.855	3.19	2.37	1.17–1.74
12.70 (500")	6.226	11.069	3.98	3.16	1.48–2.20
15.24 (600")	7.472	13.283	4.77	3.95	1.80–2.66

When the screen aspect ratio is 4:3 (Throw ratio : [0.44:1])					
Lorsque le rapport d'aspect de l'écran est 4:3 (Rapport de projection : [0.44:1])					
SD	SH	SW	L1	L4	A1
3.05 (120")	1.829	2.438	1.07	0.25	0.32–0.42
3.81 (150")	2.286	3.048	1.33	0.51	0.42–0.55
5.08 (200")	3.048	4.064	1.76	0.95	0.60–0.76
6.35 (250")	3.810	5.080	2.20	1.38	0.77–0.98
7.62 (300")	4.572	6.096	2.64	1.82	0.95–1.19
8.89 (350")	5.334	7.112	3.07	2.25	1.12–1.41
10.16 (400")	6.096	8.128	3.51	2.69	1.30–1.63
12.70 (500")	7.620	10.160	4.38	3.56	1.64–2.06
15.24 (600")	9.144	12.192	5.25	4.43	1.99–2.49

● **PT-DS12K**

(Unit / Unités : m)

When the screen aspect ratio is 4:3 (Throw ratio : [0.39:1]) Lorsque le rapport d'aspect de l'écran est 4:3 (Rapport de projection : [0.39:1])					
SD	SH	SW	L1	L4	A1
3.05 (120")	1.829	2.438	0.96	0.15	0.28
3.81 (150")	2.286	3.048	1.20	0.38	0.37
5.08 (200")	3.048	4.064	1.59	0.78	0.53
6.35 (250")	3.810	5.080	1.99	1.17	0.68
7.62 (300")	4.572	6.096	2.38	1.56	0.84
8.89 (350")	5.334	7.112	2.77	1.96	0.10
10.16 (400")	6.096	8.128	3.17	2.35	1.16
12.70 (500")	7.620	10.160	3.95	3.14	1.47
15.24 (600")	9.144	12.192	4.74	3.92	1.78

When the screen aspect ratio is 16:9 (Throw ratio : [0.39:1]) Lorsque le rapport d'aspect de l'écran est 16:9 (Rapport de projection : [0.39:1])					
SD	SH	SW	L1	L4	A1
3.05 (120")	1.494	2.657	1.05	0.23	0.31–0.56
3.81 (150")	1.868	3.321	1.31	0.49	0.41–0.72
5.08 (200")	2.491	4.428	1.73	0.92	0.58–1.00
6.35 (250")	3.113	5.535	2.16	1.34	0.76–1.27
7.62 (300")	3.736	6.641	2.59	1.77	0.93–1.55
8.89 (350")	4.358	7.748	3.02	2.20	1.10–1.82
10.16 (400")	4.981	8.855	3.45	2.63	1.27–2.10
12.70 (500")	6.226	11.069	4.30	3.49	1.61–2.65
15.24 (600")	7.472	13.283	5.16	4.34	1.95–3.19

● **PT-DW11K**

(Unit / Unités : m)

When the screen aspect ratio is 16:9 (Throw ratio : [0.40:1]) Lorsque le rapport d'aspect de l'écran est 16:9 (Rapport de projection : [0.40:1])					
SD	SH	SW	L1	L4	A1
3.05 (120")	1.494	2.657	1.07	0.26	0.32–0.60
3.81 (150")	1.868	3.321	1.34	0.52	0.43–0.77
5.08 (200")	2.491	4.428	1.78	0.96	0.60–1.06
6.35 (250")	3.113	5.535	2.22	1.40	0.78–1.35
7.62 (300")	3.736	6.641	2.65	1.84	0.95–1.64
8.89 (350")	4.358	7.748	3.09	2.28	1.13–1.93
10.16 (400")	4.981	8.855	3.53	2.72	1.30–2.22
12.70 (500")	6.226	11.069	4.41	3.59	1.66–2.80
15.24 (600")	7.472	13.283	5.29	4.47	2.01–3.38

(PT-DW11K)

When the screen aspect ratio is 4:3 (Throw ratio : [0.54:1])

Lorsque le rapport d'aspect de l'écran est 4:3 (Rapport de projection : [0.54:1])

SD	SH	SW	L1	L4	A1
3.05 (120")	1.829	2.438	1.31	0.49	0.42–0.75
3.81 (150")	2.286	3.048	1.63	0.82	0.54–0.97
5.08 (200")	3.048	4.064	2.17	1.35	0.76–1.32
6.35 (250")	3.810	5.080	2.71	1.89	0.97–1.68
7.62 (300")	4.572	6.096	3.25	2.43	1.19–2.03
8.89 (350")	5.334	7.112	3.78	2.97	1.40–2.39
10.16 (400")	6.096	8.128	4.32	3.50	1.62–2.74
12.70 (500")	7.620	10.160	5.40	4.58	2.05–3.45
15.24 (600")	9.144	12.192	6.47	5.65	2.48–4.16

Note

- The listed projection distances involve an error of $\pm 5\%$.
- "GEOMETRY" and "VERTICAL KEYSTONE" tend to correct the projected image to a size that is smaller than regular size.
- Throw ratio is based on the value during projection onto a 3.81 m (150") screen.

Remarque

- Les distances de projection dans la liste implique une erreur de $\pm 5\%$.
- Le "GÉOMÉTRIE" et la "TRAPÈZE VERTICALE" ont tendance à corriger l'image projetée à une taille inférieure à la taille normale.
- Le rapport de projection (throw) se base sur la valeur pendant la projection sur un écran de 3,81 m (150").

- Projection distance formulas
- Formules de distance de projection

If you are using a projection screen size not listed in these Operating Instructions, measure the diagonal screen size SD (m). Then use the calculation methods provided to determine projection distance (L1) and the distance from the top of the projector to the bottom edge of the screen (A1).

Establishing dimensions L1 and A1 allows you to calculate all other dimensions.

Note that the values obtained in the following calculations are approximations.

Si vous utilisez une taille d'écran de projection n'apparaissant pas dans la liste de ce mode d'emploi, mesurez la taille de l'écran en diagonale SD (m). Utilisez ensuite les méthodes de calcul fournies pour déterminer la distance de projection (L1) et la distance du sommet du projecteur au bord inférieur de l'écran (A1).

Établir les dimensions L1 et A1 vous permet de calculer toutes les autres dimensions.

Notez que les valeurs obtenues dans les calculs suivants sont des approximations.

● PT-DZ21K

(Unit / Unités : m)

Aspect ratio Rapport d'aspect	L1	A1	
		Min. / Mini	Max. / Maxi
16 : 10	= $0.3031 \times SD + 0.020$	= $0.229 \times SH - 0.114$	= $0.283 \times SH - 0.114$
16 : 9	= $0.3116 \times SD + 0.020$	= $0.254 \times SH - 0.114$	= $0.370 \times SH - 0.114$
4 : 3	= $0.3432 \times SD + 0.020$	= $0.229 \times SH - 0.114$	= $0.283 \times SH - 0.114$

● **PT-DS20K**

(Unit / Unités : m)

Aspect ratio Rapport d'aspect	L1	A1	
		Min. / Mini	Max. / Maxi
4 : 3	= 0.3096 × SD + 0.020	= 0.206 × SH - 0.114	
16 : 9	= 0.3373 × SD + 0.020	= 0.275 × SH - 0.114	= 0.441 × SH - 0.114

● **PT-DW17K**

Aspect ratio Rapport d'aspect	L1	A1	
		Min. / Mini	Max. / Maxi
16 : 9	= 0.3458 × SD + 0.020	= 0.282 × SH - 0.114	= 0.466 × SH - 0.114
4 : 3	= 0.4233 × SD + 0.020		

● **PT-DZ16K**

Aspect ratio Rapport d'aspect	L1	A1	
		Min. / Mini	Max. / Maxi
16 : 9	= 0.3116 × SD + 0.020	= 0.254 × SH - 0.114	= 0.370 × SH - 0.114
4 : 3	= 0.3813 × SD + 0.020		

● **PT-DZ13K / PT-DZ10K**

Aspect ratio Rapport d'aspect	L1	A1	
		Min. / Mini	Max. / Maxi
16 : 10	= 0.3031 × SD + 0.020	= 0.229 × SH - 0.100	= 0.283 × SH - 0.100
16 : 9	= 0.3116 × SD + 0.020	= 0.254 × SH - 0.100	= 0.370 × SH - 0.100
4 : 3	= 0.3432 × SD + 0.020	= 0.229 × SH - 0.100	= 0.283 × SH - 0.100

● **PT-DS12K**

Aspect ratio Rapport d'aspect	L1	A1	
		Min. / Mini	Max. / Maxi
4 : 3	= 0.3096 × SD + 0.020	= 0.206 × SH - 0.100	
16 : 9	= 0.3373 × SD + 0.020	= 0.275 × SH - 0.100	= 0.441 × SH - 0.100

● **PT-DW11K**

Aspect ratio Rapport d'aspect	L1	A1	
		Min. / Mini	Max. / Maxi
16 : 9	= 0.3458 × SD + 0.020	= 0.282 × SH - 0.100	= 0.466 × SH - 0.100
4 : 3	= 0.4233 × SD + 0.020		

● **Calculation method for L2, L3, L4 and A2**

Méthode de calcul pour L2, L3, L4 et A2

(Unit / Unités : m)

	L2	L3	L4	A2
PT-DZ21K / PT-DS20K / PT-DW17K / PT-DZ16K	= L1 + 0.029	= L1 - 0.277	= L1 - 1.007	= A1 + 0.291
PT-DZ13K / PT-DS12K / PT-DW11K / PT-DZ10K			= L1 - 0.817	= A1 + 0.200

Panasonic Corporation

Web Site : <https://panasonic.net/cns/projector/>

© Panasonic Corporation 2014

W1014NK3109 -PJ

Printed in Japan