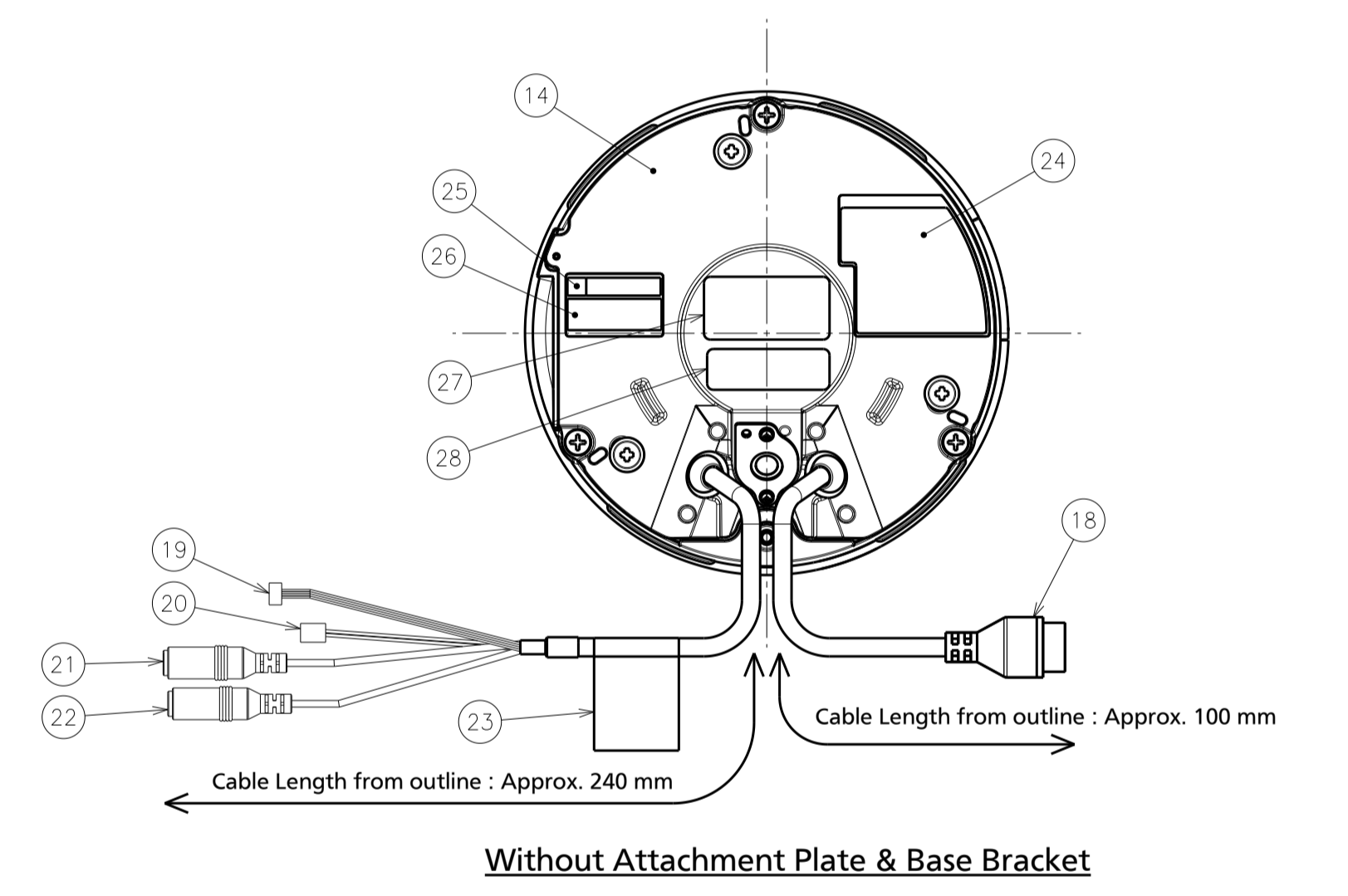
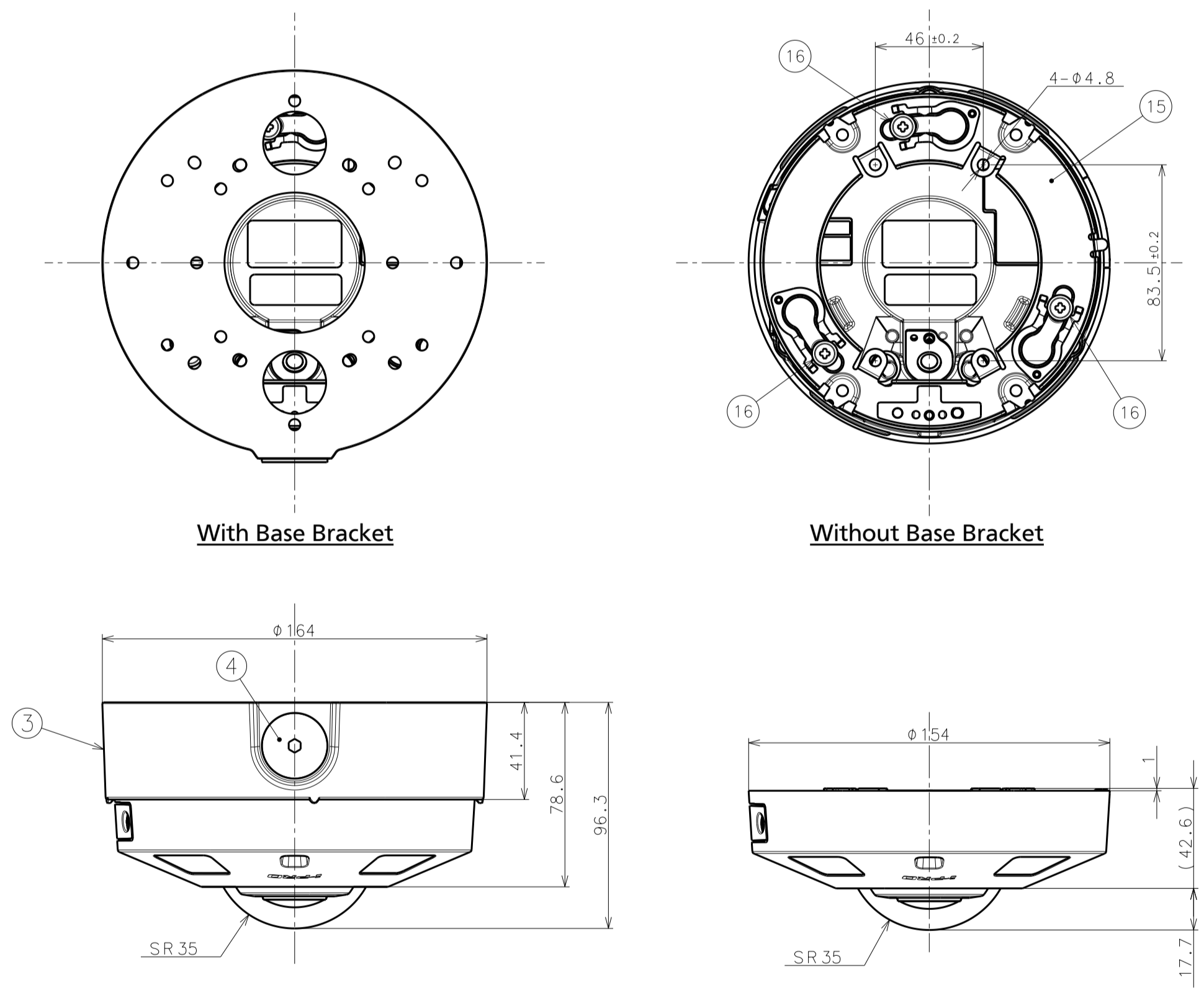
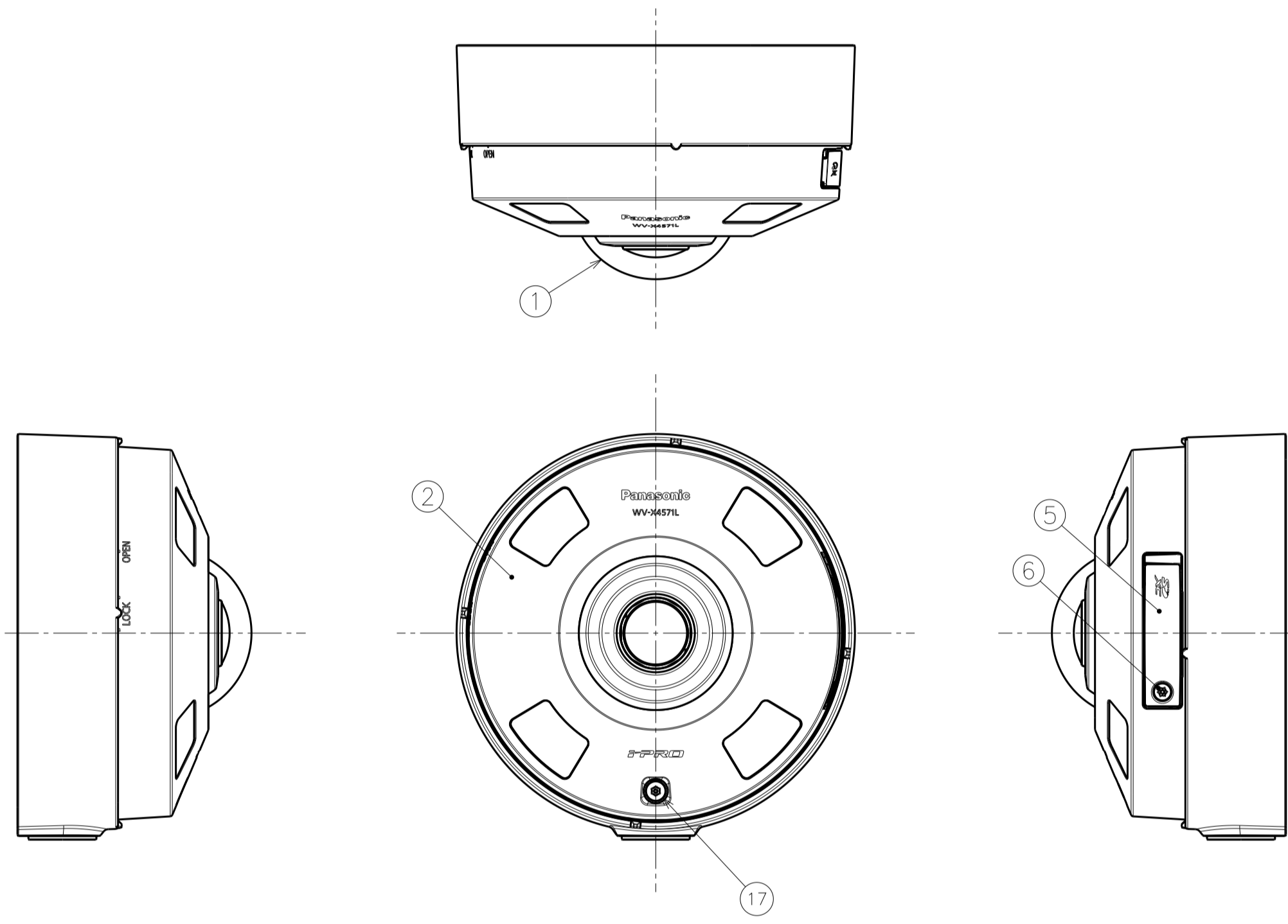
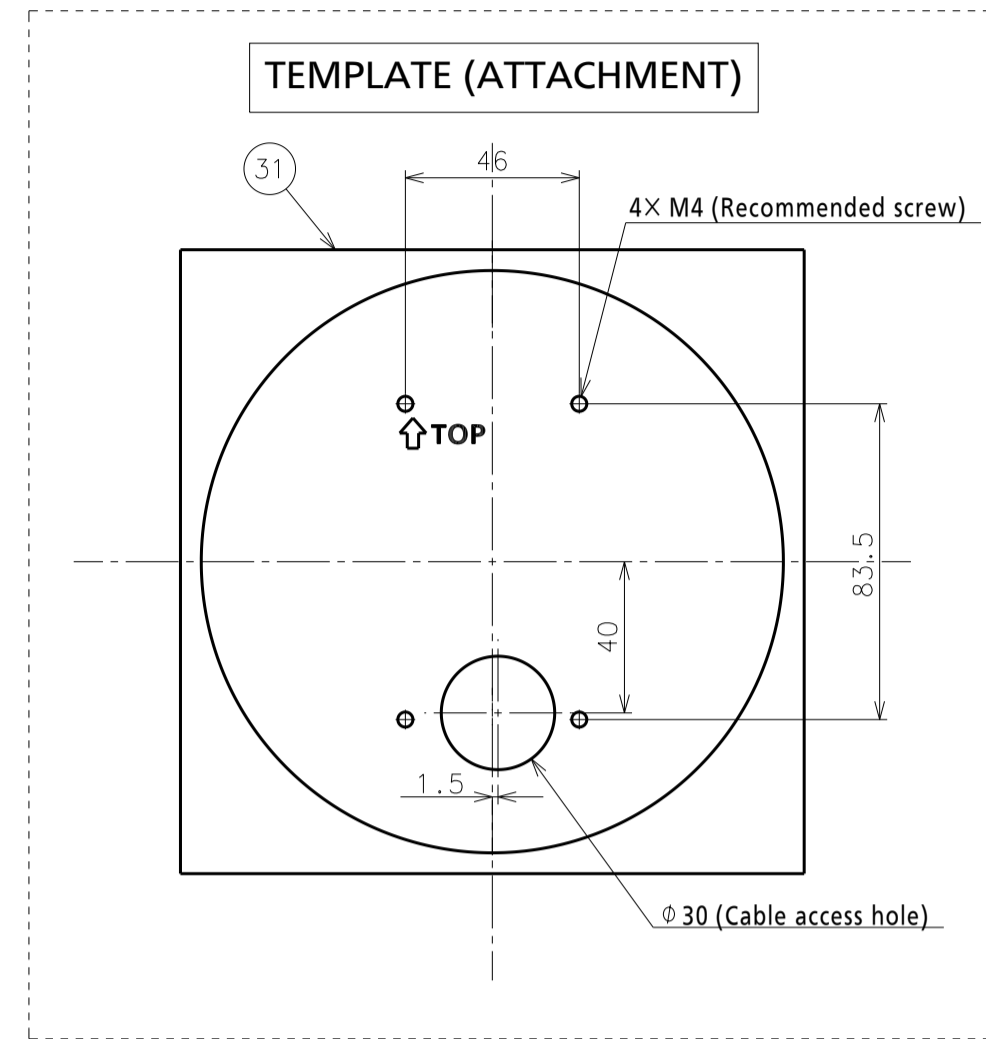
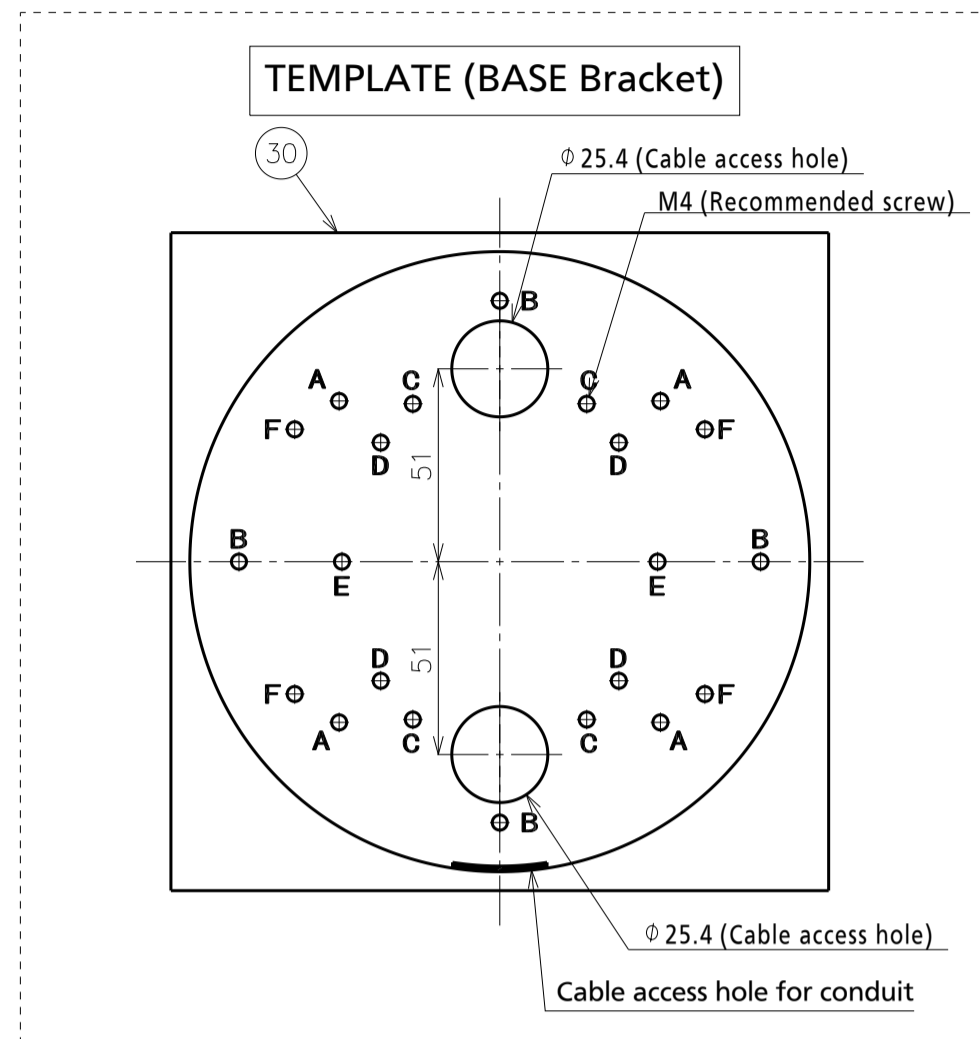


Inside of SD-slot cover  
(S=1:1)



| No. | Part Name                    | QTY | MATERIAL & SIZE            | TREATMENT                    | REMARK |
|-----|------------------------------|-----|----------------------------|------------------------------|--------|
| 31  | TEMPLATE (ATTACHMENT)        | 1   | -                          | -                            | -      |
| 30  | TEMPLATE (BASE Bracket)      | 1   | -                          | -                            | -      |
| 29  | SD slot Label                | 1   | Polyester Film             | Printing                     | -      |
| 28  | VCCI LABEL                   | 1   | Polyester Film             | Printing                     | -      |
| 27  | FCC ICES-3A LABEL            | 1   | Polyester Film             | Printing                     | -      |
| 26  | CODE LABEL                   | 1   | Polyester Film             | Printing                     | -      |
| 25  | Serial No. Label             | 1   | Polyester Film             | Printing                     | -      |
| 24  | Name Label                   | 1   | Polyester Film             | Printing                     | -      |
| 23  | Wiring Attention Label       | 1   | Polyester Film             | Printing                     | -      |
| 22  | Audio Input Cable            | 1   | -                          | -                            | -      |
| 21  | Audio Output Cable           | 1   | -                          | -                            | -      |
| 20  | 12V DC Power Supply Terminal | 1   | -                          | -                            | -      |
| 19  | Alarm I/O Cable              | 1   | -                          | -                            | -      |
| 18  | Network Cable (RJ45)         | 1   | -                          | -                            | -      |
| 17  | Camera Fixing Screw          | 1   | Stainless Steel            | -                            | -      |
| 16  | Attachment Mount Screw       | 3   | Stainless Steel            | -                            | -      |
| 15  | Attachment Plate             | 1   | Stainless Steel            | -                            | -      |
| 14  | Lower Case                   | 1   | Aluminium Alloy Diecasting | Painted(Light Gray)          | -      |
| 13  | INITIAL SET button           | 1   | -                          | -                            | -      |
| 12  | Access LED (ACT)             | 1   | -                          | -                            | -      |
| 11  | Link LED (LINK)              | 1   | -                          | -                            | -      |
| 10  | SD ERROR/ABF LED             | 1   | -                          | -                            | -      |
| 9   | SD MOUNT LED                 | 1   | -                          | -                            | -      |
| 8   | SD ON/OFF button             | 1   | -                          | -                            | -      |
| 7   | SD CARD Slot                 | 1   | -                          | -                            | -      |
| 6   | SD Slot Cover Fixing Screw   | 1   | Stainless Steel            | -                            | -      |
| 5   | SD Slot Cover                | 1   | Aluminium Alloy Diecasting | Painted(Light Gray)          | -      |
| 4   | Pipe Hole Cap                | 1   | PA(Light Gray)             | -                            | -      |
| 3   | Base Bracket                 | 1   | Aluminium Alloy Diecasting | Painted(Light Gray)          | -      |
| 2   | Upper Case                   | 1   | Aluminium Alloy Diecasting | Painted(Light Gray)&Printing | -      |
| 1   | Dome Cover                   | 1   | PC(Clear)                  | -                            | -      |

|               | 投影面積/Projected area<br>(With Base Bracket) | 投影面積/Projected area<br>(Without Base Bracket) |
|---------------|--|---|
| 側面図/Side-view | 0.013(m <sup>2</sup> )                     | 0.007(m <sup>2</sup> )                        |

WV-X4571LUYS